

Type	Ordering Code	Package
■ FZH 211 S	Q67000-H639-S1	} P-DIP-16
■ FZH 215 S	Q67000-H2431	

Four NAND drivers with open collector outputs, 2 inputs, and N input for delay circuits. The input threshold can be switched to LSL, TTL, or CMOS level, depending on the supply voltage used.

Typical Application

Driver up to 30 V/150 mA, relay driver, and level converter.

Calculation of the load resistance for wired AND connection is carried out as described for FZH 161/181 (refer to LSL data book). In the case of wired AND connection and N wiring, the capacitors C_N must have identical values.

Maximum Ratings

Description	Symbol	Test conditions	min	max	Unit
Supply voltage	V_S		0	30	V
Input voltage	V_I		-0.5	30	V
Voltage between 2 inputs	V_{II}			30	V
Voltage at output, output transistor cut off	V_{QH}			30	V
Voltage at output, output transistor conducting	V_{QL}		0		V
Output current	I_{QL}			150	mA
Capacitance at Q	C_L			5	nF
Capacitance between N and Q	C_N			0.1	μ F
Voltage at N			-1	0.6	V
Current at N			-10	2	mA
Storage temperature	T_{stg}		-65	125	$^{\circ}$ C
Thermal resistance system - air	$R_{th SA}$			60	K/W

Operating Range

Supply voltage range 1	V_S	TTL threshold at A, B	4	7	V
Supply voltage range 2	V_S	LSL threshold at A, B	9	30	V
Supply voltage	V_S	Switching of threshold at A, B at $V_S = 8$ V, typical	4	30	V
Ambient temperature					
FZH 211 S (range 1)	T_A		0	70	$^{\circ}$ C
FZH 215 S (range 5)	T_A		-25	85	$^{\circ}$ C

Characteristics in the 5 V Range

Temperature range 1 and 5

Description	Symbol	Test conditions	min	typ	max	Unit
Supply voltage	V_S		4		7	V
H-input voltage	V_{IH}	$V_S = V_{SB}$	2			V
L-input voltage	V_{IL}	$V_S = V_{SA}$ and V_{SB}			0.8	V
Static noise immunity	V_{sn}		0.4	1.0		V
L-output voltage	V_{QL}	$I_{QL} = 1.6 \text{ mA}$ $V_{IH} = 8 \text{ V}$		0.7	0.8	V
L-output voltage	V_{QL}	$I_{QL} = 100 \text{ mA}$ $V_S = V_{SB}$			1.3	V
L-output voltage ¹⁾	V_{QL}	$I_{QL} = 150 \text{ mA}$ $V_S = V_{SB}$			1.5	V
H-input current	I_{IH}	$U_{IH} = 30 \text{ V}$ $V_{IH} = V_{SA}$		5	1	μA
L-input current	$-I_{IL}$	$V_{IL} = 0 \text{ V}$ $V_{IH} = V_{SA}$			50	μA
H-output current	I_{QH}	$V_{IL} = 0.8 \text{ V}$, $V_{QH} = 30 \text{ V}$, $V_S = V_{SB}$			50	μA
Supply current per package	I_S	$V_S = 7 \text{ V}$, $V_I = 0 \text{ V}$	1.5	3	5	mA

Characteristics in the 12 V, 15 V, 24 V Ranges

Temperature range 1 and 5

Supply voltage	V_S		9		30	V
H-input voltage	V_{IH}	$V_S = V_{SB}$	8			V
L-input voltage	V_{IL}	$V_S = V_{SA}$ and V_{SB}			6	V
Static noise immunity	V_{sn}		2.5	5.0		V
L-output voltage	V_{QL}	$I_{QL} = 100 \text{ mA}$ $V_{IH} = 8 \text{ V}$		1	1.3	V
L-output voltage ¹⁾	V_{QL}	$I_{QL} = 150 \text{ mA}$ $V_S = V_{SB}$			1.5	V
H-Input current	I_{IH}	$V_{IH} = 30 \text{ V}$ $V_S = V_{SA}$		5	1	μA
L-Input current	$-I_{IL}$	$V_{IL} = 0 \text{ V}$ $V_S = V_{SA}$			50	μA
H-output current	I_{QH}	$V_{IL} = 6 \text{ V}$, $V_{QH} = 30 \text{ V}$, $V_S = V_{SB}$			50	μA
Supply current per package	I_S	$V_S = 30 \text{ V}$, $V_I = 0 \text{ V}$	1.5	3	5	mA

Switching Characteristics at $V_S = 12 \text{ V}$, $T_A = 25^\circ\text{C}$

Signal propagation time	t_{PLH}	$V_{SC} = 12 \text{ V}$ $R_C = 760 \Omega$ $C_L = 15 \text{ pF}$	550	ns
Signal transition time	t_{PHL}		200	ns
	t_{TLH}		90	ns
	t_{THL}		25	ns

Signal transition times at Q

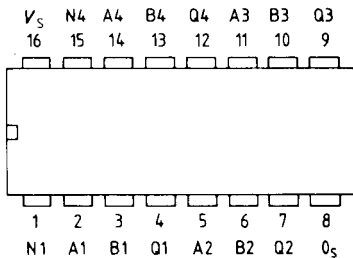
with C_N wiring between N and Q:

$$\left. \begin{aligned} t_{THL} &= 6 \cdot C_N \cdot (V_{QH} - V_{QL}) \\ t_{TLH} &= 15 \cdot C_N \cdot (V_{QH} - V_{QL}) \end{aligned} \right\} (\mu\text{s}, \mu\text{F}, \text{V})$$

typical values for $C_N > 0.02 \mu\text{F}$

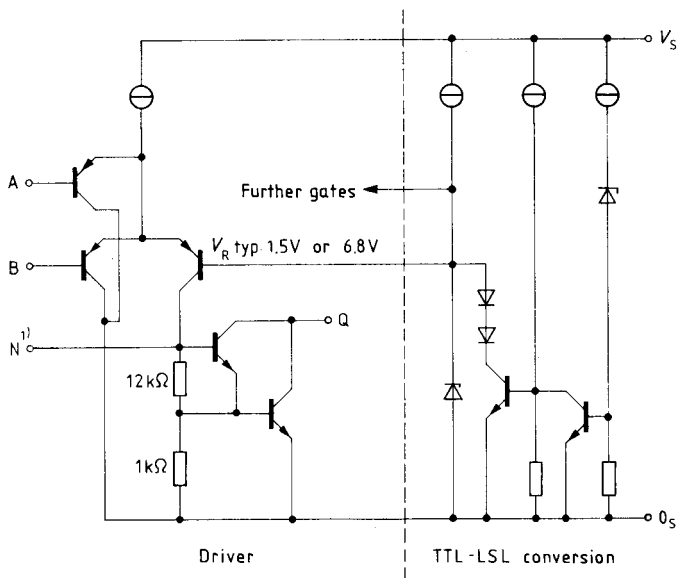
¹⁾ The sum of all output currents per package may not exceed 400 mA for the FZH 211 S and 350 mA for the FZH 215 S.

Pin Configuration
top view



A, B = inputs
Q = output

Schematic (one gate)



Logic function $Q = \overline{A \wedge B}$

1) only in case of gate 1 and 4